

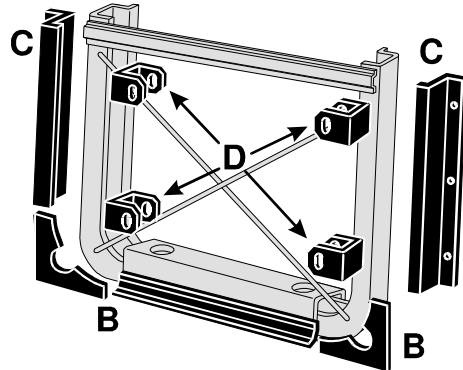
- ⚡ All Help Prevent Overheating by forcing air through the radiator
- ⚡ Pressure Sensitive Adhesive = PSA as required as factory
- ⚡ Die Cut to Blueprint Patterns –not a Zip repro of a repro, of a repro, of a ....

**53-68 Radiator Seal Kits**

<b>A</b> 53-55 Lower Radiator Seal	1274103	23.50
<b>B</b> 58-62 Lower Radiator 3 Piece Seal Set	1274105	7.50
<b>C</b> 62 (58-61 rep) Higher Side Seal 2 Piece Set	1274106	7.50
<b>D</b> 60-61 Tank Top Radiator 4 Piece Seal Set	1274109	0.00
<b>E</b> 66-67 AC 327 Lower Radiator Seal	1274207	10.00
<b>F</b> 66-67 AC 427 Radiator 3 Piece Seal Set	1274208	11.00
<b>G</b> 68 Early Grill to X-Member Seal	1274402	27.50
<b>H</b> Late 68-72 Grill to X-Member Seal	1274403	24.50
<b>I</b> 68-72 Grill to X-Member Seal Retainer made from Match Molded Fiberglass	1274399	59.50
<b>J</b> 68-Early 69 Lower Radiator Seal	1274305	9.00
<b>K</b> 68-70 Front Lower Baffle Seal	1274401	5.50
<b>L</b> 68-70 Rear Lower Baffle Seal	1274400	5.50
<b>M</b> 68 327 Alum Radiator Seal 5 Piece Set	1274301	20.00
<b>N</b> 68 427 Radiator Seal 4 Piece Set	1274302	20.00



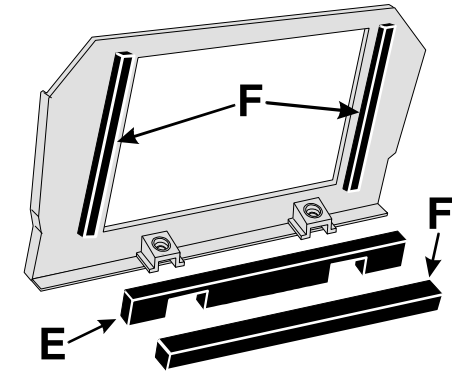
**A 53-55 Lower Radiator Seal**  
Includes die cut 1/4" thick neoprene rubber seal with 5 pre-punched mounting holes. 1274103 23.50



**B 58-62 Radiator Support Seal Kit**  
Includes 2 lower corner seals plus lower horizontal center seal die cut from neoprene sheet rubber. These 3 pieces are glued to the lower support & lower baffle with black weatherstrip adhesive. 1274105 7.50

**C 58-62 Higher Side Radiator Seals**  
Includes LH & RH vertical seal pair die cut from neoprene sheet rubber. Replacement on 58-61 1274106 7.50

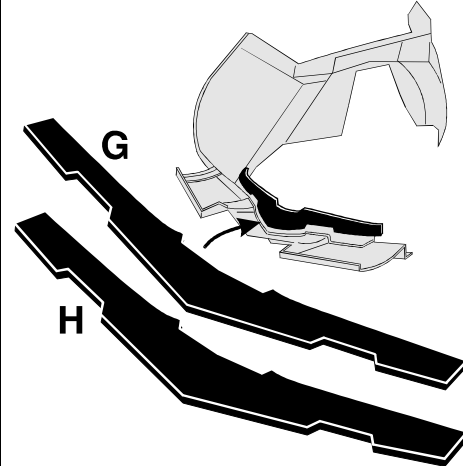
**D 60-61 Tank Top Radiator Seal Set**  
These thick die cut neoprene seals slide into the "U" shaped auxiliary mounting brackets used with tank top radiators to cushion the Aluminum radiators.  
**Warning:** do not over tighten the mounting bolts on the side brackets. 1274109 0.00



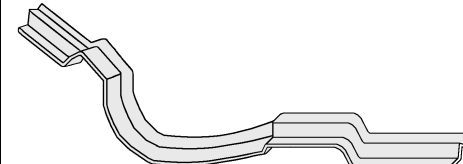
**E 66-67 A.C. 327 Lower Radiator Seal**  
Die cut thick Black sponge rubber notched to clear the lower support brackets. Glue to the radiator support with weatherstrip adhesive. 1274207 10.00

**F 66-67 A.C. 427 Radiator Seal 3 Piece Set**  
Includes lower horizontal & 2 vertical side seals die cut from Black sponge rubber. Glue to the radiator support with weatherstrip adhesive. 1274208 11.00

**G Early 68 Grill Cross-Member Seal**  
Die cut auto nite's style rough texture surface sheet rubber attaches to fiberglass lower grill panel with 9 staples.  
**? Early 68** is prior to August 5, 1967 production date approximately. 1274402 27.50



**H Late 68-72 Grill Cross Member Seal**  
Die cut auto nite's style rough texture surface sheet rubber attaches to fiberglass lower grill panel with 9 staples.  
**? Late 68** is after August 5, 1967 production date approximately. 1274403 24.50



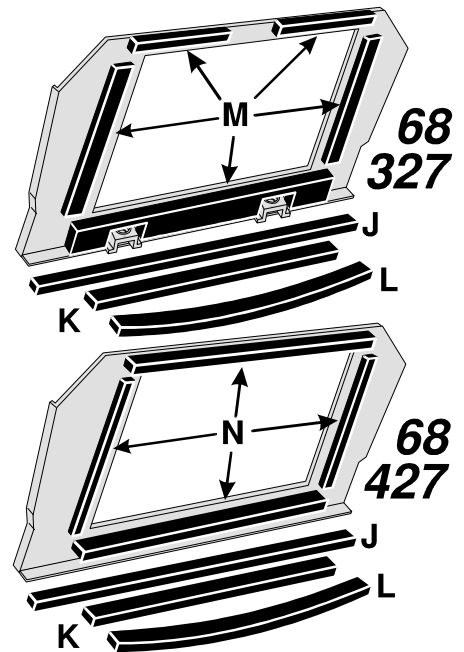
**I 68-72 Lower Grill Seal Retainer**  
Match mold of fiberglass, smooth on both sides. This part bonds to the lower valance panel just behind the grill. The above 68-72 lower grill panel seals are stapled to the rearward lip of this fiberglass panel. See the staple wire kit below. 1274399 59.50

**68-72 Cross Member Seal Staple Wire Kit**  
Includes same gauge wire used to make 9 staples. Cut wire 1 and 1/2" long & bend 90 degree every 1/2". 1274014 2.20

**J 68-Early 69 Support Bottom Seal**  
Die cuts sponge rubber with PSA mounts on bottom edge of support.  
**? Early 69** is prior to February 10, 1969 production date approx. 1274305 9.00

**K 68-70 Upper Front Baffle Seal**  
Die cuts sponge rubber with PSA mounts to the upper front edge of the lower baffle. 1274401 5.50

**L 68-70 Lower Rear Baffle Seal**  
Die cuts sponge rubber with PSA mounts to the lower rear edge of the lower baffle. 1274400 5.50



**M 68 327 Radiator Seal 5 Piece Set**  
Use with factory Aluminum radiator. If factory was Copper use the 427 kit. The lower horizontal seal is mounted with weatherstrip adhesive. The LH & RH vertical seals & the LH & RH upper seals attach with PSA. 1274301 20.00

**N 68 427 Radiator Seal 4 Piece Set**  
Includes LH & RH vertical seals plus upper & lower horizontal seals with PSA. 1274302 20.00

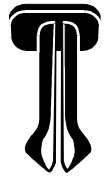
**69-72 Radiator Seal Kits**

Most 69-72 seals use **PIF** = Push In Fasteners  
Fasteners are not included with seal kits.  
**4 Piece Seal Kits PIF required**

**O Early 69 350 Seal Kit** none 1274306 20.00  
**Late 69-72 350 specify ...**

<b>P</b> Late 69-72 Aluminum Seal Kit	<b>6</b>	1274323	20.00
<b>Q</b> Late 69-72 Copper Rad Seal Kit	<b>7</b>	1274307	20.00
<b>R</b> Early 69 427 Seal Kit	<b>none</b>	1274309	20.00
<b>S</b> Late 69-72 427-454 Seal Kit	<b>7</b>	1274311	20.00
<b>T</b> 69-72 Heavy Duty Seal Kit	<b>none</b>	1274440	20.00
<b>U</b> 70-72 LT-1 Seal Kit	<b>5</b>	1274314	20.00

**69-78 Push In Fastener = PIF**  
Stamped steel with Black phosphate finish used to attach some of the radiator seals to the radiator support. The quantity required varies. See the description for each seal kit for the quantity that is required for your model. 1274999 1.75



**WRINKLED PSA**

Beware of Blm Products sponge rubber seals with **WRINKLED PSA**. If the protective peel-off paper that covers the Pressure Sensitive Adhesive is **WRINKLED** -- you have a defective substandard part. These parts will not stay attached to your fan shroud or radiator support. **WRINKLED PSA** allows the adhesive to dry out and pull away from the seals. Shop with confidence when purchasing any of Dr. Rebuild's products with PSA -- we apply our own Smooth PSA in our own factory. Reject these Blm Products shabby **WRINKLED PSA** products, because if you don't -- the dried out adhesives will let the seals fall off! There is No extra charge for the Right Stuff.