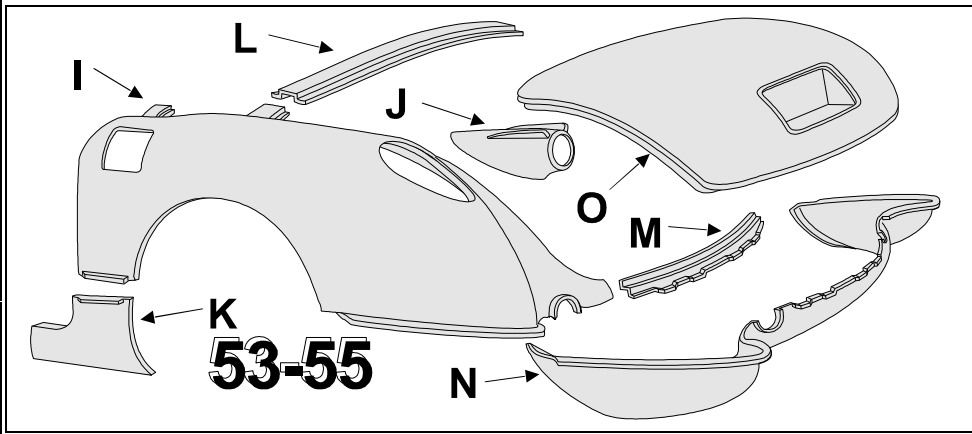
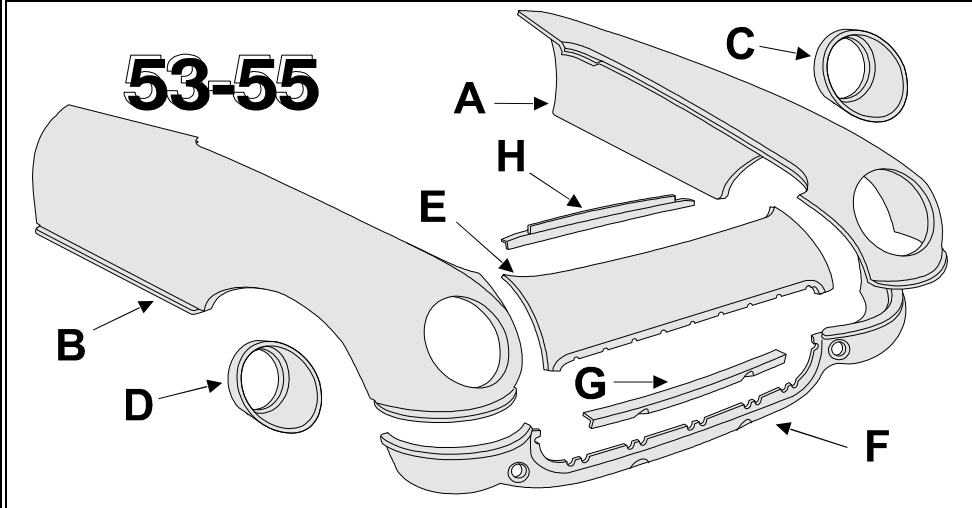


Key LH = Left side or Drivers side in USA
 RH = Right side or Passengers side in USA
 B/S = Bonding strip
 MM = Match molded, smooth both sides
 HL = Hand laid fiberglass smooth 1 side
 * = Shipped by truck, the freight is collected upon delivery. Prices for these parts include the Crating fee
 O/S = Oversize 2O/S = Double Oversize

53-55 Fiberglass

53-55 Top Surround *	HL	8200102	1025.00
A+B 53-55 Front Fender Louver Panels Truck Ship = *			
HL LH	8200104	509.95	RH 8200105 509.95
C+D Head Lamp Housings:			
53 HL Hsg LH	8200108	RH 8200109	164.95
54-55 MM Hsg LH	8200050	RH 8200051	179.50
E 53-55 Center Nose Panel	HL	8200103	397.00
F 53-55 Lower Valance Panel			
HL UPS O/S	8200107	397.95	
G 53 Lower Radiator Baffle	HL	8200110	153.95
G 54-55 Lower Radiator Baffle	MM	8200052	153.50
H 53-55 Upper Radiator Extension			
Bonding Strip	MM	8200147	71.50
53-55 One Piece Rear End Panel			
HL Truck Ship = *	8200127	819.95	
I 53-55 Rear Quarter Fender Panels:	UPS O/S		
HL LH	8200121	479.00	RH 8200122 479.00
J 53-55 Tail Lamp Housing with Fins			
HL LH	8200123	184.95	RH 8200124 184.95
K 53-55 Rear Quarter Front Lower Panel	HL		
with the rocker panel 4 inches back from door opening			
HL LH	8200130	319.95	RH 8200131 319.95
53-55 Rocker Panel Wheel Well to Wheel Well	UPS O/S		
HL LH	8200057	454.95	RH 8200058 484.95
53-55 Front Rocker Panel only to Door	UPS O/S		
HL LH	8200059	299.95	RH 8200060 299.95
53-55 Rear Surround Panels:	UPS O/S		
L Upper Panel	HL O/S	8200125	0.00
M Lower Panel	HL O/S	8200126	0.00
N 53-55 Rear Lower Panel	HL *	8200128	379.95
O 53-55 Trunk Lid	HL Truck *	8200129	590.00

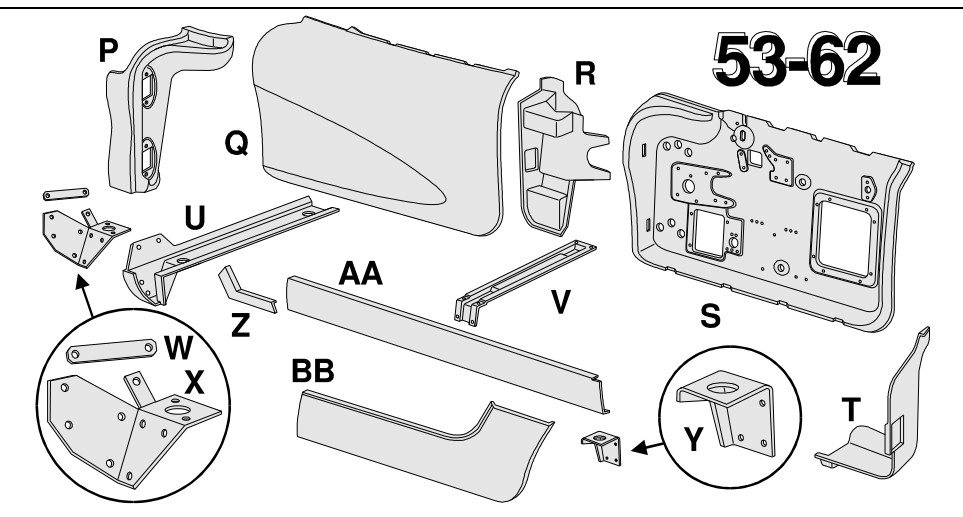


53-62 Center Body Fiberglass

53-55 Trans Tunnel	MM Truck *	8200118	213.95
56-57 Trans Tunnel	HL O/S	8200153	159.50
56-60 Trans Tunnel	MM O/S	8200093	191.50
56-60 Trans Tunnel	HL O/S	8200193	160.00
61-62 Trans Tunnel	MM O/S	8200291	354.95
Upper Firewall Panels all are UPS Oversize = O/S			
56-57 Upper Firewall	Panel HL	8200138	354.95
58-62 Upper Firewall	Panel MM	8200348	354.50
56-62 Upper Firewall	Panel HL	8200266	354.95

P 56-62 Hinge Pillar Outer Cover Panel	MM		
LH	8200420	172.00	RH 8200421 172.00
56-62 Hinge Pillar Inner Panel	MM		
LH	8200214	121.95	RH 8200215 121.95
56-62 Upper Hinge Reinforcement Panel	MM		
LH	8200216	94.50	RH 8200217 94.50
Q Outer Door Panel	HL UPS Oversize = O/S		
56-61 LH	8200136	318.95	RH 8200137 318.95
62 LH	8200258	319.00	RH 8200259 319.00
R Door Inner Hinge Reinforcement	HL		
56-62 LH	8200212	179.00	RH 8200213 179.00
S Inner Door Panel	HL UPS O/S		
56-57 LH	8200172	290.00	RH 8200173 290.00
58-61 LH	8200134	290.00	RH 8200135 290.00
62 LH	8200271	290.00	RH 8200272 290.00

T 56-62 Lock Pillar Cover Panel			
HL LH	8200218	149.95	RH 8200219 149.95
MM LH	8200065	154.95	RH 8200066 154.95
56-60 Lock Pillar Panel Upper Reinforcement			
MM LH	8200068	54.95	RH 8200069 54.95
61-62 Lock Pillar Panel Upper Reinforcement			
MM LH	8200086	82.50	RH 8200087 67.00
U 56-62 Toe Board Panel Reinforcement			
MM LH	8200162	154.95	RH 8200163 154.95
V 53-62 Floor Pan Center Reinforcement			
LH or RH 2 reqd	MM	8200150	79.95
W+X+Y Body Mount Reinforcements are Riveted to the Underbody. 58-59 Aluminum Piece Set 9023110 104.50			
60-62 Steel 6 Piece Set 9023108 104.50			
W Front Body Mount Reinforcement Strap 2 reqd USA			
58-59 Aluminum Strap		9023150	11.75
60-62 Steel Strap		9023155	11.75
X Front Body Mount Reinforcement USA			
58-59 Aluminum	LH 9023151	RH 9023152	23.00
60-62 Steel	LH 9023156	RH 9023157	23.00
Y Rear Body Mount Reinforcement USA			
58-59 Aluminum	LH 9023153	RH 9023154	23.00
60-62 Steel	LH 9023158	RH 9023159	23.00
60-62 Body Mount Steel Reinforcement at Lock Pillar Base			
	LH 9023103	RH 9023104	24.00
Z 56-60 Floor Pan to Front Fender Filler Panel Bond Strip			
MM LH	8200168	RH 8200169	71.50
AA 56-62 Sill Reinforcement UPS O/S			
MM LH	8200208	RH 8200209	136.95
BB Rocker Panels MM UPS O/S			
56-60 LH	8200210	RH 8200211	164.95
61-62 LH	8200282	RH 8200283	187.95
56-62 Glove Box Compartment	Used	8200244	190.00



**over 2000 web pages at
www.DocRebuild.com**